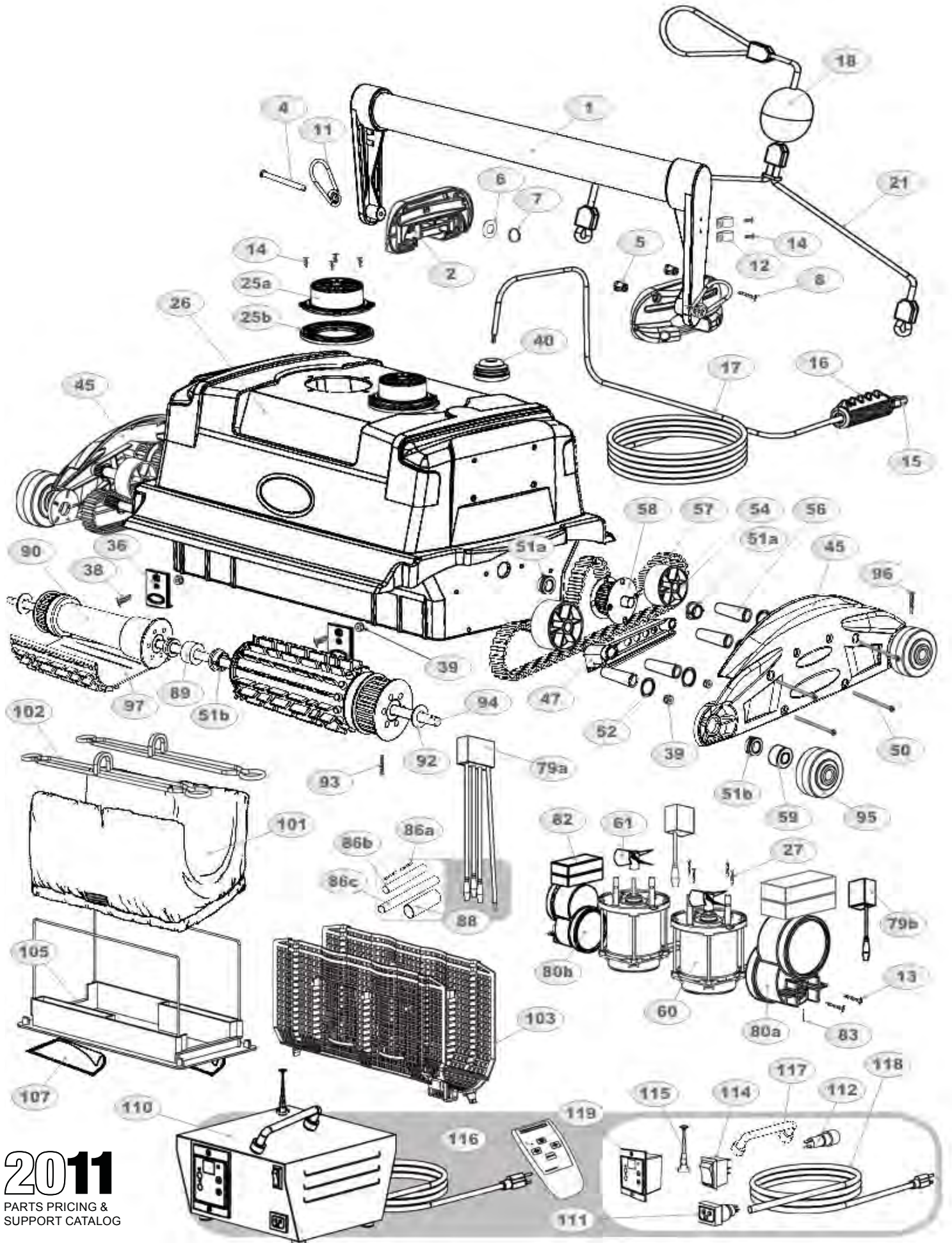


DURAMAX DUO JUNIOR



| ITEM | PART # | ITEM NAME (Description) - Quantity per DuraMAX Duo Junior | LIST PRICE | UNITS |
|------|--------|---|------------|-------|
| | 1 | A10212 HANDLE ASSEMBLY (Blue, with Brackets) - 1 per machine | \$000.00 | EA |
| | 2 | SK2039BL SK HANDLE BRACKET, OVAL, BLUE;(EA/1/1) | \$00.00 | EA |
| | 4 | 11003 CLEVIS PIN (Round Head, hole in end, links the Handle Assembly to the Handle Bracket) - 2 per machine | \$0.00 | EA |
| | 5 | 5050 BODY INSERT (Brass, Reverse Block Insert, For inside Body to fasten Handle Bracket) - 4 per machine | \$0.00 | EA |
| | 6 | 11004 WASHER (St. Steel, for the Clevis Pin on Handle Assembly Bracket) - 2 per machine | \$0.00 | EA |
| | 7 | 11005 COTTER RING (Aluminum, 3/16", for the Clevis Pin to hold the Handle Bracket) - 2 per machine | \$0.00 | EA |
| | 8 | 2304 SCREW (10-32, 3/4", Pan Head, For fastening the Handle Bracket to the Body Assembly) - 8 per machine | \$0.00 | EA |
| | 11 | 11006 HOOK (St. Steel, Snap-Hook, Eyelet for Pin, fastens Rope Assembly to Handles) - 2 per machine | \$0.00 | EA |
| | 12 | 2109 P-CLIP (5/16", Blue, Coated Steel) - Use to fasten the 120' Cable Assembly to the Handle) - 2 per machine | \$0.00 | EA |
| | 12 | 2111 P-CLIP (5/8", Blue, Coated Steel) - Use to fasten the Optional 150' Cable Assembly to the Handle | \$0.00 | EA |
| | 13 | 2700 SCREW #8, 11/16", Phil Pan-Flat Head, Use to fasten Drive Motors) - 4 per machine | \$0.00 | EA |
| | 14 | 2260 SCREW #6, 7/16", Phil Pan-Flat Head, Use to fasten Outlet Top and P-Clips) - 10 per machine | \$0.00 | EA |
| | 15 | 1615 PLUG (3-Pin, Male, 2-Wire) - 1 per machine | \$0.00 | EA |
| | 16 | S7930 EZ-SWIVEL (For 2-wire Cable) - 1 per machine | \$00.00 | EA |
| | 17 | 162120 CABLE ASSEMBLY (2-Wire, 120 Ft., Floating, no Quick-connection) - 1 per machine | \$000.00 | EA |
| | 17 | A162150 CABLE ASSEMBLY (*Optional, 2-Wire, 150 Ft., Floating, requires 3-Pin Male Plug) - 1 per machine | \$000.00 | EA |
| | 18 | 1602 FLOAT BALL (Large, fasten to Cable the same distance from unit as maximum depth of pool) - 1 per machine | \$0.00 | EA |
| | 21 | A8325 ROPE ASSEMBLY (Blue & White, Nylon) - 1 per machine | \$00.00 | EA |
| | 25a | 2230B1 OUTLET TOP (Blue) - 2 per machine | \$00.00 | EA |
| | 25b | 2250BL2 OUTLET BOTTOM (Blue) - 2 per machine | \$00.00 | EA |
| | 26 | A22025WT2H BODY ASSEMBLY (White, with Lock Tabs, two Pump holes, Inserts) - 1 per machine | \$000.00 | EA |
| | 27 | 2251 SCREW (8-18 x 3/4, Phil Small Head, to fasten Pump to Body) - 8 per machine | \$0.00 | EA |
| | 36 | 9204N LOCK TAB, PLASTIC, NATURAL; (EA/2/2) | \$0.00 | EA |
| | 38 | 2303 SCREW (18-8, 8/32" x 1/2", Phil Bev Head, Use to fasten the Lock-Tabs to the Body Assembly) - 4 per machine | \$0.00 | EA |
| | 39 | 7133 LOCK-NUT (18-8, 8/32", Nylon Insert, Hex, for Lock-Tabs) - 4 per machine | \$0.00 | EA |
| | 40 | 1626 GROMMET (3/8", Sealing, Rubber, Use around Cable Assembly on Body Assembly) - 1 per machine | \$0.00 | EA |
| | 45 | S2038BL SIDEPLATE ASSEMBLY (New-style design, Blue) - 2 per machine | \$00.00 | EA |
| | 47 | S3387 SPACER BRACKET (Supports Drive Belt, For inside Sideplates) - 2 per machine | \$0.00 | EA |
| | 50 | 2711 SCREW (8-32 x 2.75", Screws for Sideplate) - 8 per machine | \$0.00 | EA |
| | 51a | 2600 BUSHING (White, Plastic, For Pulley Assembly) - 1 per machine | \$0.00 | EA |
| | 51b | 2600BKT2 BUSHING (Black, Molybdenum polymer, both ends of each Wheeltube, one for each Pulley) - 6 per machine | \$0.00 | EA |
| | 52 | 2606 WASHER (White, Delrin plastic, .75" x .032", for sideplate legs) - 4 per machine | \$0.00 | EA |
| | 54 | 3508 TENSION ROLLER (Black, Plastic, Supports the Drive Belt) - 4 per machine | \$00.00 | EA |
| | 56 | 3626 BUSHING (Stainless Steel, for Sideplate legs) - 4 per machine | \$0.00 | EA |
| | 57 | SK3310 SK BELT SET COMMERCIAL DRIVE BELTS (2) WITH TENSION ROLLERS (4), (EA/1/1) | \$000.00 | EA |
| | 58 | SK3624 PULLEY ASSEMBLY (Includes Flange Washers) - 2 per machine | \$00.00 | EA |
| | 59 | 11087 SPACER (Delrin, 1"OD x .5"ID x .59"Lg., for around Axle, inside and outside of Wheel Tube) - 6 per machine | \$0.00 | EA |
| | 60 | SA69008 PUMP MOTOR (With Propeller, 2-Pin Female Connect to Capacitor, 2-Pin Male Connect to Junction) - 2 per machine, formerly A6011, installation kit included | \$000.00 | EA |
| | 61 | 4400 PROPELLER - 2 per machine | \$\$\$ | EA |
| | 79a | A2306 JUNCTION BOX ASSEMBLY (2-Wire cord to Cable, 2-Pin Fem to Pumps, 2-Pin Fem to Master Drive) - 1 per machine | \$\$\$ | EA |
| | 79b | A2416 CAPACITOR BOX ASSEMBLY (Black, Potted box, 2-Pin Male Connect to Pump Motor) - 2 per machine | \$\$\$ | EA |
| | 80a | SA89024 DRIVE MOTOR (MASTER, Air Sensor, 4-Pin Male Connect to Junction, 4-Pin Female to Slave Drive) - 1 per machine, formerly A8563, installation kit included | \$\$\$ | EA |
| | 80a | SA89028 DRIVE MOTOR, ASSY, MASTER, 24VBL, 8BL, ADMXDUO, GRAD SPEED; (EA/1/1), formerly A8582, installation kit included | \$000.00 | EA |
| | 80b | SA85022 DRIVE MOTOR (SLAVE, 4-Pin Male Connect to Master Drive Motor) - 1 per machine, formerly A8561, installation kit included | \$000.00 | EA |
| | 80b | SA89026 DRIVE MOTOR, ASSY, SLAVE, 24VBL, 8GR, GRAD SPEED; (EA/1/1), formerly A8578, installation kit included | \$000.00 | EA |
| | 82 | 3101 UNDER MOTOR FLOAT (For under Drive Motors) - 4 per machine | \$0.00 | EA |
| | 83 | 4613 SPIRAL PIN (3/4", solid St. Steel, for end of Drive Motor shaft, use small drop of Lock-Tite) - 1 per machine | \$0.00 | EA |
| | 86a | 5474 CONNECTOR, BUTT, SHRINK, BLUE; (EA/2/2) | \$0.00 | EA |
| | 86b | 1617 SHRINK TUBE, BLACK, 5/16" D; (IN/48/48) | \$0.00 | IN |
| | 86c | 1619 SHRINK TUBE, BLACK 1/2" D; (IN/48/48) | \$0.00 | IN |
| | 88 | 1625 SHRINK TUBE (3/4" Wide, Black, Thick Rubber, For sealing electrical connections wider than 1/4") | \$00.00 | EA |
| | 89 | 11087 CLUTCH SPACER (For center of Wheel Tube) - 2 per machine | \$0.00 | EA |
| | 90 | S38226 WHEEL TUBE ASSEMBLY (Use pair for each side, requires Axle and Washers) - 4 per machine | \$00.00 | EA |
| | 90 | SK38226 WHEELTUBE, S/AS FOR A38226 (DMXR/C) | \$00.00 | EA |
| | 92 | 3603 WASHER (Nylon, Flat, Use for end of Wheeltubes inside of Sideplate) - 4 per machine | \$0.00 | EA |
| | 93 | 2714 SCREW (10-32, 2.5", Pan Head, to fasten outer Wheel Tube hubs to Axle) - 2 per machine | \$0.00 | EA |
| | 94 | 342625 AXLE, S/S, .500 "D x 23.25, "L,DMX2011; (EA/1/1) | \$00.00 | EA |
| | 95 | S700021 WHEEL (Grey, 2.5 inch, with hole for screw, Use on end of the Axles, outside Sideplate) - 4 per machine | \$00.00 | EA |
| | 95 | 2691 WHEEL, 2.75" 00 X 1/2 "ID" BLACK | \$00.00 | EA |
| | 96 | 2718 SCREW #8, 2", Fillister head, fastend Grey Wheel to Axle) - 4 per machine | \$0.00 | EA |
| | 97 | SK3016BL7 SK BRUSH, RUBBER EZ, BLUE, 7.25", PINS INC, 4x4 PK;(EA/1/1) | \$00.00 | EA |
| | 97 | SK3029GY7 SK, EZ BRUSH, GRAY, HARD, 7", 4-SET W PINS; (EA/1/1) | \$00.00 | EA |
| | 97 | SK38226PVA SK WHEELTUBE KIT, DMXRC, DMXBT2, DMXDUOJR, S38226, 5050, 2268,3008 DRILLED, PVA BRUSH; (EA/1/1) | \$00.00 | EA |
| | 97 | S38226PVA WHEEL TUBE, S/AS FOR A38226(DMXR/C, PVA) | \$00.00 | EA |
| | 101 | 8101 FILTER BAG (Large, Fine Filter Bag) - 1 per machine | \$00.00 | EA |
| | 101 | 8201 FILTER BAG (Optional, Large, Mesh Filter Bag) - 1 per machine | \$00.00 | EA |
| | 102 | 8001 FILTER BAG CLIP, PLASTIC, LARGE, BLACK; (EA/2/2) | \$0.00 | EA |
| | 103 | S5313 FILTER SCREEN (Blue, Folding Cage, no attachment strings needed) - 1 per machine | \$00.00 | EA |
| | 105 | A9201XC BOTTOM LID ASSEMBLY (White, Square Wire Frame) - 1 per machine | \$000.00 | EA |
| | 106 | 9301 INTAKE VALVE FLAP (Black PVC Rubber) - 2 per machine | \$0.00 | EA |
| | | S3103 H-FLOAT (Optional, Plastic/Foam with Screws, Attach to Bottom Lid to quicken wall-climbing) - 1 per machine | \$00.00 | EA |
| | | 3104 FLOAT, SIDE POCKET (EA/2/2) | \$0.00 | EA |
| | 110 | A7185 POWER SUPPLY (3-Pin, Female Socket, 1-7hr Shut-Off / Continuous Run Digital Display) - 1 per machine | \$000.00 | EA |
| | 111 | 7115 SOCKET ASSEMBLY (3-Pin, Female, 2-Wire) - 1 on Power Supply | \$00.00 | EA |
| | 112 | 7005 FUSE HOLDER (Standard, Push & Turn style) - 1 on Power Supply | \$0.00 | EA |
| | | 7002 FUSE (5.0 Amp, 250 Volt, Slow-Blow) - 1 on Power Supply | \$0.00 | EA |
| | | 1799 FAN (Cooling Fan for inside of Power Supply) - 1 on Power Supply | \$0.00 | EA |
| | 114 | 7107 WIDE LIGHTED SWITCH (Very Wide, 1 1/4" x 1", Red, 3-Wire) - 1 on Power Supply | \$0.00 | EA |
| | 115 | 7024 ANTENNA (Telescopic, with Hardware) - 1 on Power Supply | \$00.00 | EA |
| | | A220213 RECEIVER (Radio, 4-Way, Responds to 220120C Transmitter) - 1 on Power Supply | \$000.00 | EA |
| | 116 | 220120C TRANSMITTER (Radio RC, Yellow/ Blue buttons/ Red light, for A220213 Receiver, battery incl.) - 1 per machine | \$00.00 | EA |
| | 117 | 7064 HANDLE (Stainless Steel, with Hardware) - 1 on Power Supply | \$00.00 | EA |
| | 118 | 7102 CORD FOR POWER SUPPLY (3-Wire, Green, Black, and White) - 1 on Power Supply | \$00.00 | EA |
| | 119 | 7274D DIGITAL TIMER (Front Digital display, 1-7 hours Adjustable Auto-Off) - 1 on Power Supply | \$00.00 | EA |

Parts marked with this symbol should be installed by the Factory or an Authorized Service Center. Otherwise a Warranty Waiver must accompany any order for these parts.